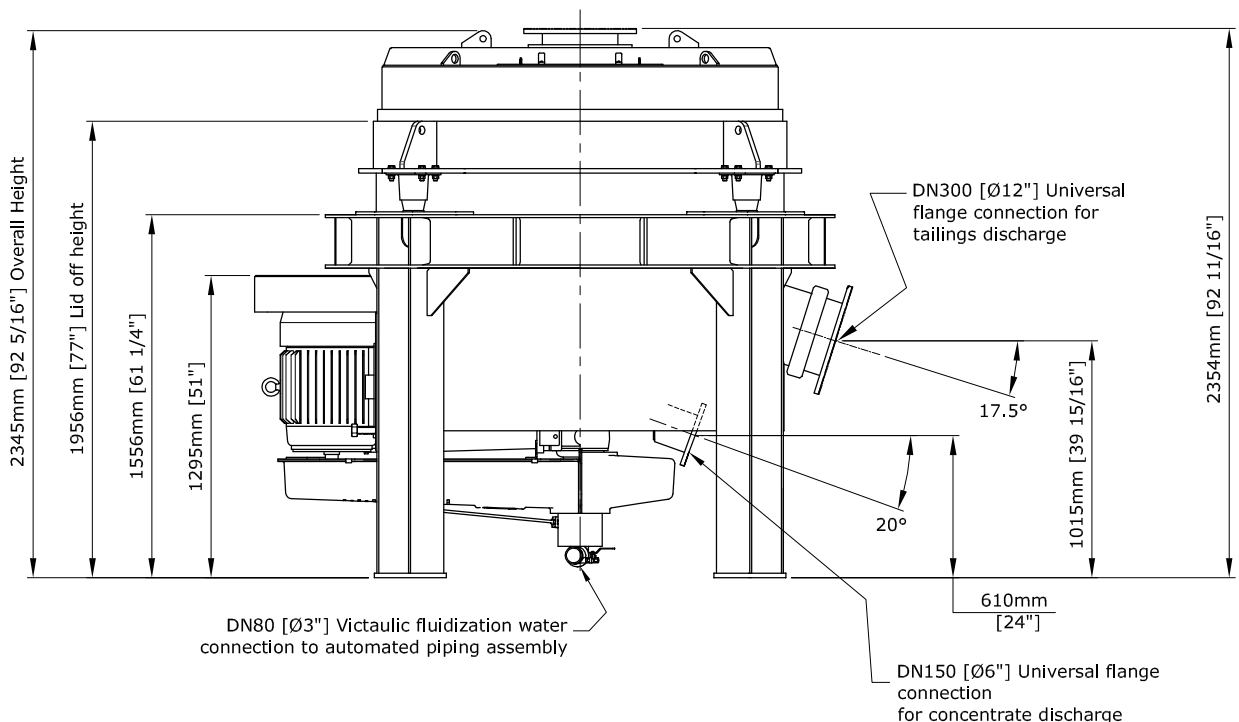
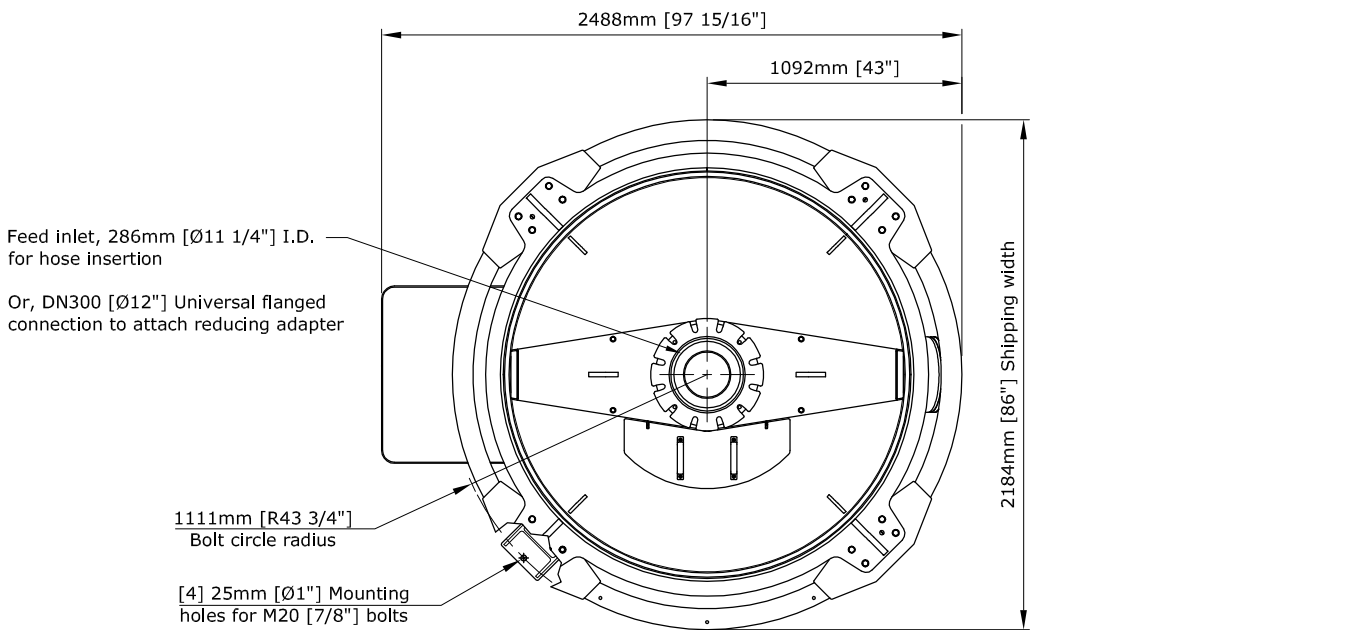


Maximum Feed Capacity	- 250 tonnes/hr Solids
Maximum Total Volumetric Throughput	- 340 m <sup>3</sup> /hr [1500 USgpm]
Feed Topsize Size	- Maximum: 6mm; Recommended: 2mm
Feed Density	- Up to 75% Solids by Weight
Max. Fluidization Water Pressure	- 550 kPa [80 psi]
Minimum Air Flow Required (Auto Piping Only)	- 150 L <sub>v</sub> /min [5.3 scfm] @ 600 kPa [90 psi]
Concentrator Installation Weight	- 3600 kg [7900 lbs]
Motor	- 30 - 55 kW [40 - 75 hp] - Electric

Cone Style	Fluidization Water m <sup>3</sup> /hr [USgpm]	Concentrate Weight kg [lb]	Recommended G-Force Operation [G]	Recommended Application
GX9	20 [88] - 32 [140]	32 [70] - 40 [88]	60	Moderate to coarse target minerals
GX10	28 [125] - 44 [195]	50 [110] - 65 [140]	60 - 90	Fine to coarse target minerals
GX11	23 [101] - 40 [175]	65 [140] - 90 [195]	90 - 150	Ultra-fine to fine target minerals



**Note:**  
 - Specifications subject to change without notice.  
 - All piping to concentrator to be flexible to allow for slight oscillation of unit during operation.  
 - Consult FLSmidth for more detailed operating parameters for your specific application.