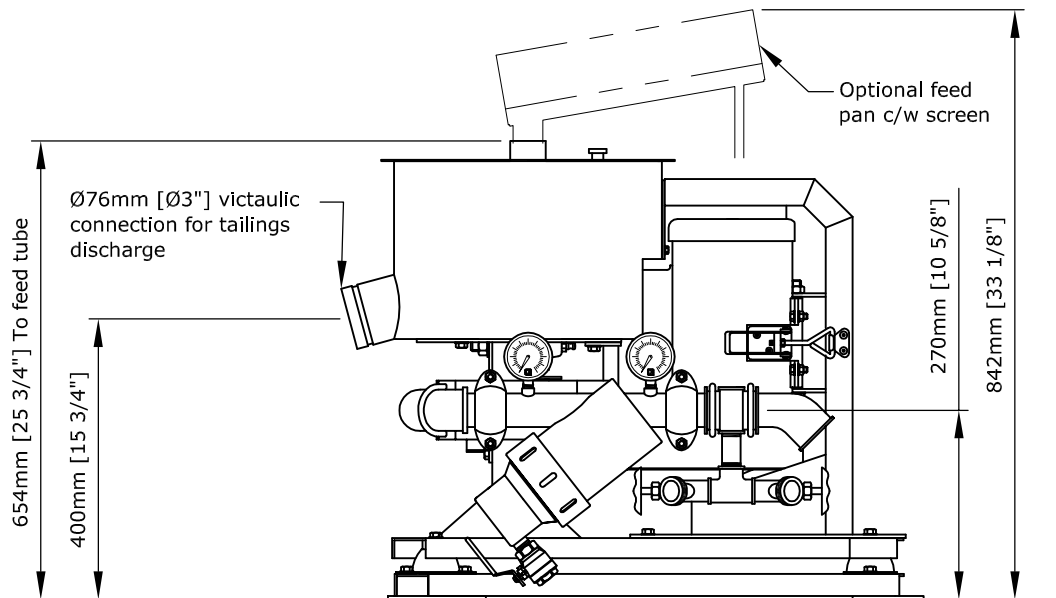
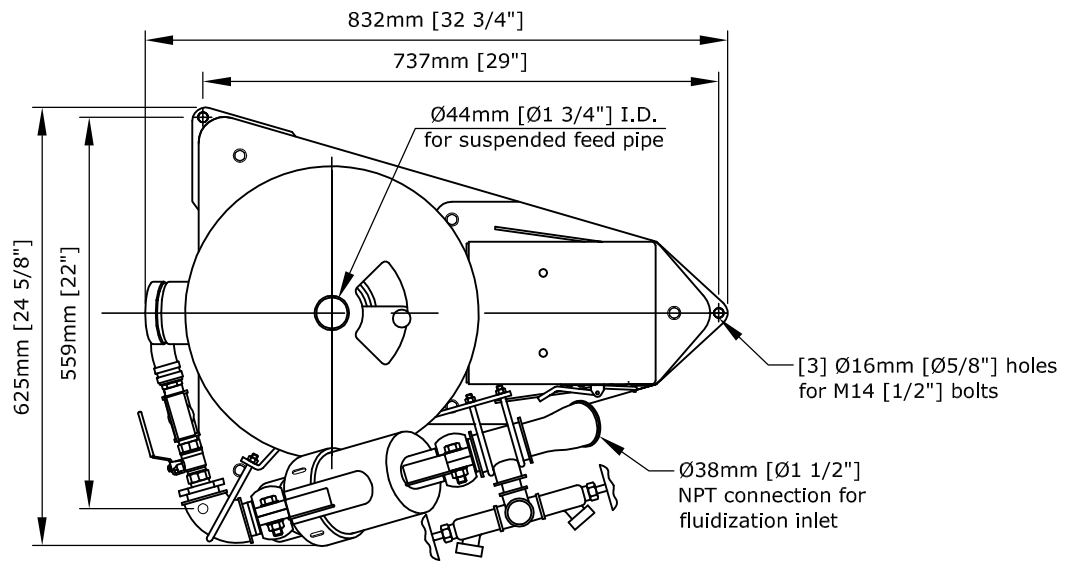


**Knelson Concentrator Model
 KC-MD7.5
 Specification Sheet**

- Maximum Feed Capacity - 680kg/hr Solids
- Maximum Total Volumetric Throughput - 95L/min (25USgpm)
- Feed Size - Maximum: 4.7mm; Recommended: 2mm
- Feed Density - 0 - 75% Solids by weight
- Concentrator Installation Weight - 119kg (262lbs)
- Motor - 0.6kW (3/4HP) - Electric

Cone Style	Fluidization Water Lpm (USgpm)	Concentrate Weight kg (lb)	G-Force Range G's
G4	27 (7) - 45 (12)	1.2 (2.7) - 1.6 (3.5)	60



Note:
 - Specifications subject to change without notice.
 - All piping to concentrator to be flexible to allow for slight oscillation of unit during operation.
 - Consult FLSmidth Knelson for more detailed operating parameters for your specific application.